

Heavy Duty pressure gauges with Bourdon tube and glycerine filling

Nominal sizes NS 63

Connection position

bottom, radial or back, central



Description

The tried and tested system technology of the **ABS**-glycerine pressure gauge is encased in high grade plastic.

ABS (Acrylnitril-Butadien-Styrol) is a corrosion resistant and shock proof case material and presents an alternative to pressure gauges with metal or pressed brass cases.

The glycerine filling provides smooth pointer motion, thus ensuring an accurate reading even under extreme load and strong vibration conditions. Furthermore, the lubricating action of the glycerine offers an effective counter against extreme wear.

Such properties enable the **ABS** glycerine pressure gauges to be deployed practically anywhere.

The facility for panel mounting is provided by a back central pressure connection and a mounting bracket.

Special features

- o Case, plastic (ABS)
- o Accuracy class 2.5
- o Copper alloy measuring system
- o Vibration and shock resistant
- o Suitable for all gaseous and liquid media that not obstruct the pressure system or attack copper alloy parts
- o Protection IP 65

Measuring ranges

0 ... 1.0 bar up to 0 ... 1000 bar
or other equivalent units of pressure or vacuum

Applications

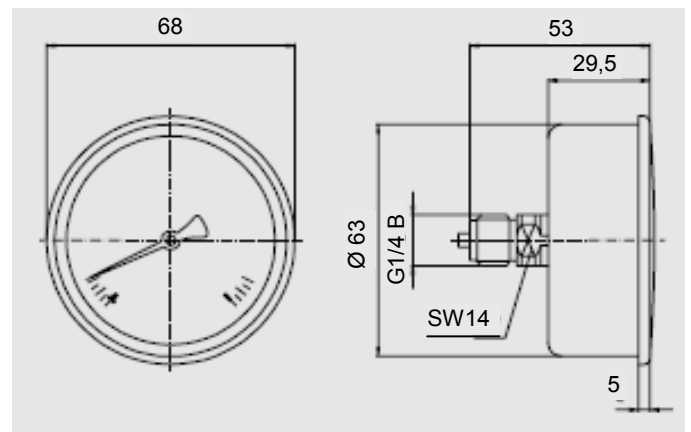
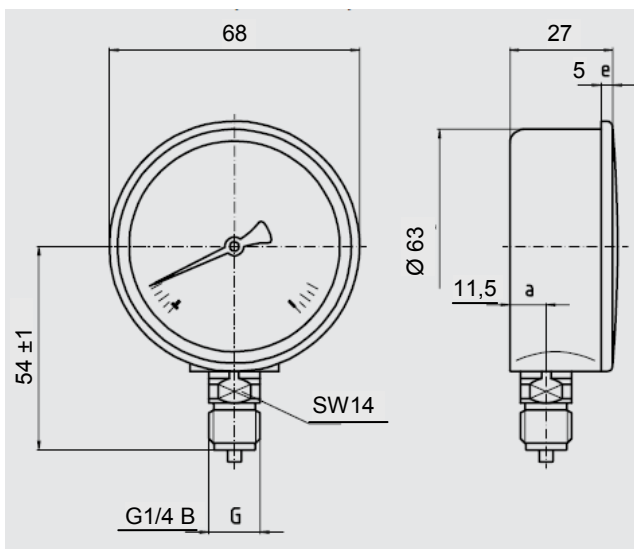
General mechanical engineering,
hydraulics, compressors, pumps,
plant construction.

Models: **P1450, P1452**

Technical data

Models	P1450	P1452	Options
Nominal size	63		
Symbol			
Accuracy class	2.5 to EN 837-1		
Ranges	0...1.0 bar to 0...1000 bar negative or positive or negative and positive gauge pressure		
Application	Constant load: 3/4 x full scale value Alternating load: 2/3 x full scale value short-time: full scale value		
Case	Plastic, black with integral panel ring (ranges ≤ 6 bar with compensating valve to vent case)		O-ring seal between case and entry stem
Bezel	without		<i>P1452:</i> slip-on bezel, stainless steel, black
Mounting	without		Surface mounting flange, front <i>P1452:</i> with panel mounting bracket
Window	Clear plastic, welded with case		
Dial	Plastic white with pointer stop pin, scale and imprint black		Dual scale
Pointer	Plastic, black		
Movement	Cu-alloy		
Measuring element	Copper alloy ≤ 40 bar C-type, > 40 bar helical type		
Pressure connection	Cu-alloy		
- position	radial bottom	central back	
- thread	G 1/4 B SW14		Other threads on request
Liquid filling	Glycerine 99,7%		
Temperatures			
- Medium	Tmax. +60°C		
- Ambient	Tmin. -20°C, Tmax. +60°C		
Temperature drift	max. 0.4 %/10K if deviation from normal temperature 20°C		
Protection	IP 65 to EN 60 529/IEC 529		
Throttle	without		∅ 0.3 ; ∅ 0.4 ; ∅ 0.8
Weight approx..	0.21		

Dimensions



Modifications reserved