

Heavy Duty pressure gauges

in a press brass case

Accuracy class 1.6

Nominal size ND 63



Description

The glycerin filled gauges of the models P1515 and P1516 used the approved measuring system, is integrated in a hot-forged brass case with modern design. This instrument achieves the safety-related standards acc. to EN 837-1 S2.

Because of the robust brass case, the measuring system is independent to external acting forces.

For applications that require a damping of the measurement system, e.g. in the presence of pulsating pressure or mechanical vibrations, are available gauges with fluid filling. This prevents additionally to the wear, and enable a good lubricating of the mobile parts.

For special applications the gauge is available in unfilled construction with a dragged pointer, e.g. hydraulic force measurement.

The gauges in the press brass case are suitable for gaseous and liquid measuring media, which do not attack copper alloys.

The mounting bracket offers the possibility of the fast changeover in panel mounting design.

Features

- o Dynamical high loaded
- o Robust version by massive press brass case
- o Execute standard EN 837-1 S2
- o Protection class IP 65 (EN 60 529/IEC 529) in combination with a o-ring at window
- o Low-wear
- o All-purpose
- o By fixing bracket and triangular bezel additional convertible for panel mounting (model P1516)

Measuring ranges



-1 ... 0 bar ; 0 ... 400 bar

Applications

General machine construction,
Hydraulic, compressors, pumps,
High-pressure cleaner, plant construction industry,
Chemical industry, waste water technology,
deep mining, shipbuilding etc.

Models : P1515, P1516

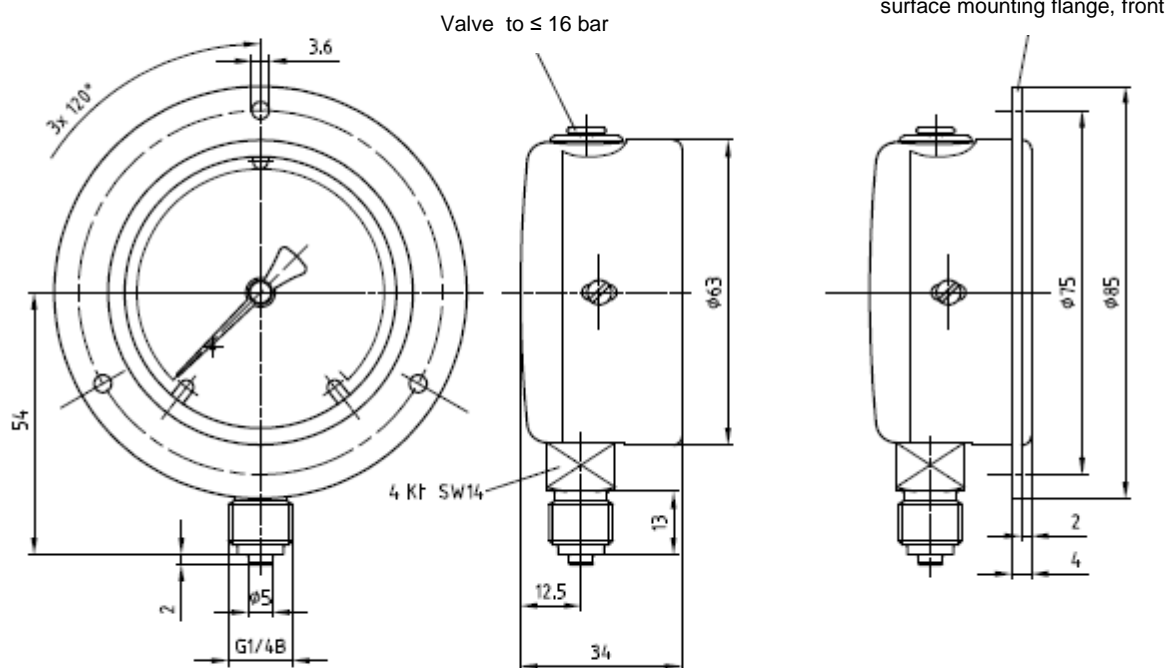
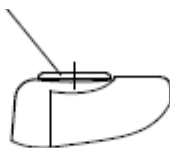
Technical Data

Models	P1515	P1516	Options
Nominal size	63		
Design			
Accuracy class	1.6 acc. to EN 837-1		
Measuring range	0...1 bar to 0...400 bar negative or positive as well as negative and positive gauge pressure		
Range of application	Constant load : 3/4 x full scale value Alternating load : 2/3 x full scale value Short time : full scale value		
Case	Hot-forged brass		
Slip ring	galvanized steel		slip-on bezel brass polished, triangular bezel, brass polished
Mounting possibility	Without pressure connection		front flange, rear flange: chrome plated; steel, black coated or yellow-coloured; retaining front bezel: brass chrome plated
window	Plexiglas		advanced mark pointer in connection with surface mounting flange brass, polished
Dial	Aluminium white, with stop pin		
pointer	Aluminium		
Movement	Cu Zn alloy		
Pressure element	< 60 bar : copper alloy, Bourdon tube, soft soldered ≥ 60 bar : copper alloy, helical tube, soft soldered, to 400 bar		
Pressure connection	Cu Zn alloy male thread, radial G1/4 B, SW14	male thread, back central G1/4 B, SW14	Other threads on request
Fluid filling	without		see models: P1760, P1761 (DE 217)
Temperatures Ambient Medium	Tmin -20°C; Tmax +60°C Tmin -20°C; Tmax +60°C		
Temperature drift	if deviation from normal temperature +20°C at the measuring system, max. ± 0,4% / 10K of the display range		
Ventilating valve	without		plastic (to 16 bar Ventil, about 16 bar plug)
Protection class	IP43		IP 65 (EN 60529 / IEC 529)
Throttle nozzle	without		with hole Ø 0.3; 0.4; 0.6; 0.8
Weight ca.	0.5 kg	0.5 kg	

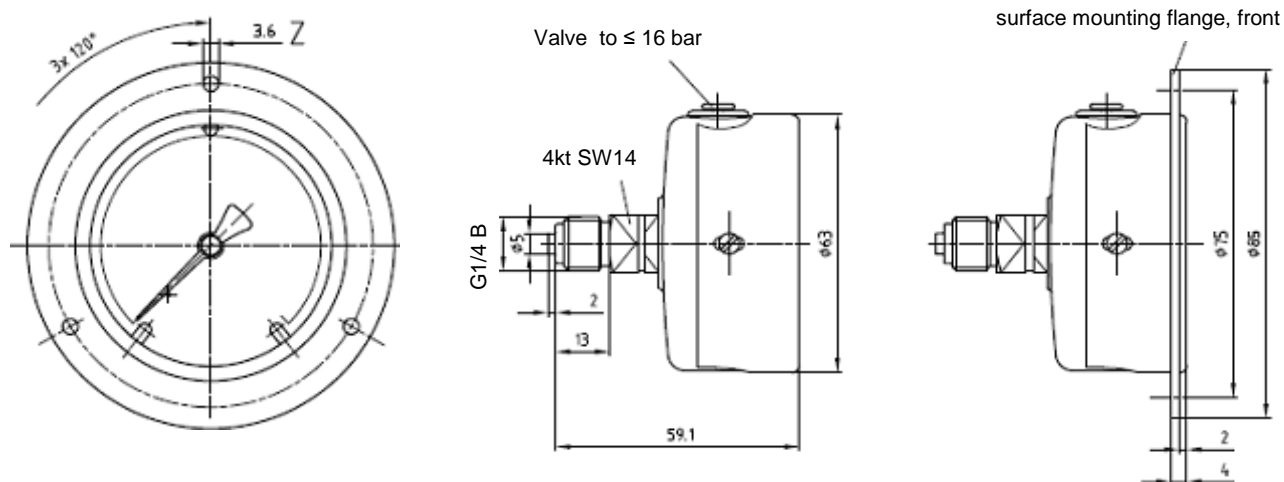
Dimensions

Model P1515

Plug >16 bar



Model P1516



Modifications reserved