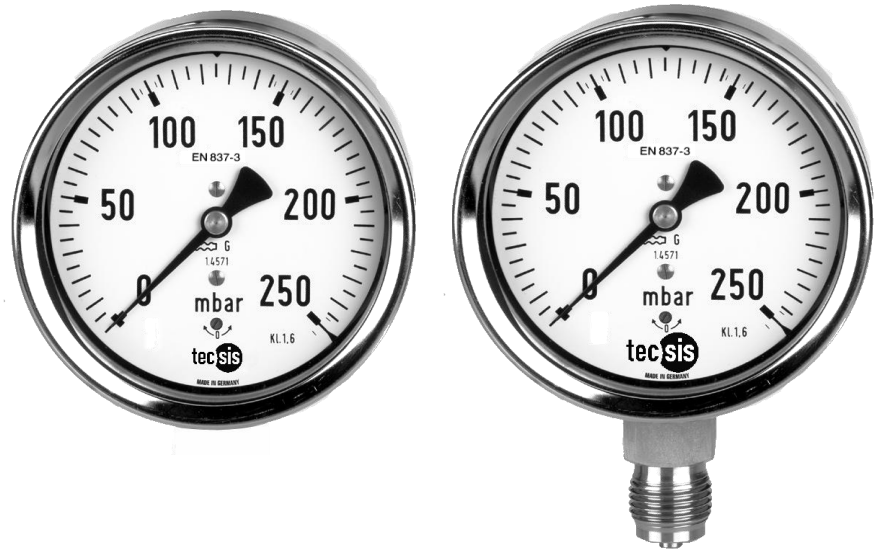


All stainless steel pressure gauges with capsule element

Nominal sizes ND 63, 100 and 160

Connection position bottom, radial or back, central



Description

The pressure gauges with capsule type element are used to measure small negative or positive gauge pressures in gaseous media. The capsule element consists of two diaphragm element halves soldered together. When subjected to pressure from within, the diaphragm element expands by a precise amount. This expansion is converted by a movement into the rotary motion of the pointer.

All stainless steel pressure gauges for the chemical industry with capsule type element are manufactured using high quality stainless steel and are therefore suitable for use with aggressive or corrosive gases.

The gauges can be supplied with a rear mounting bracket, cover ring, triangular front ring or front mounting flange as required for the installation conditions.

Features

- o Use in millibar range
- o Corrosion resistant
- o Zero adjustment
- o Application up to end of scale value

Measuring ranges

0 ... 2.5 mbar to 0 ... 600 mbar

Applications

Pharmaceutical industry, laboratory applications, air-conditioning, leakage tests, filter and status monitoring, exhaust gas measurements, gas generation, container contents measurements.

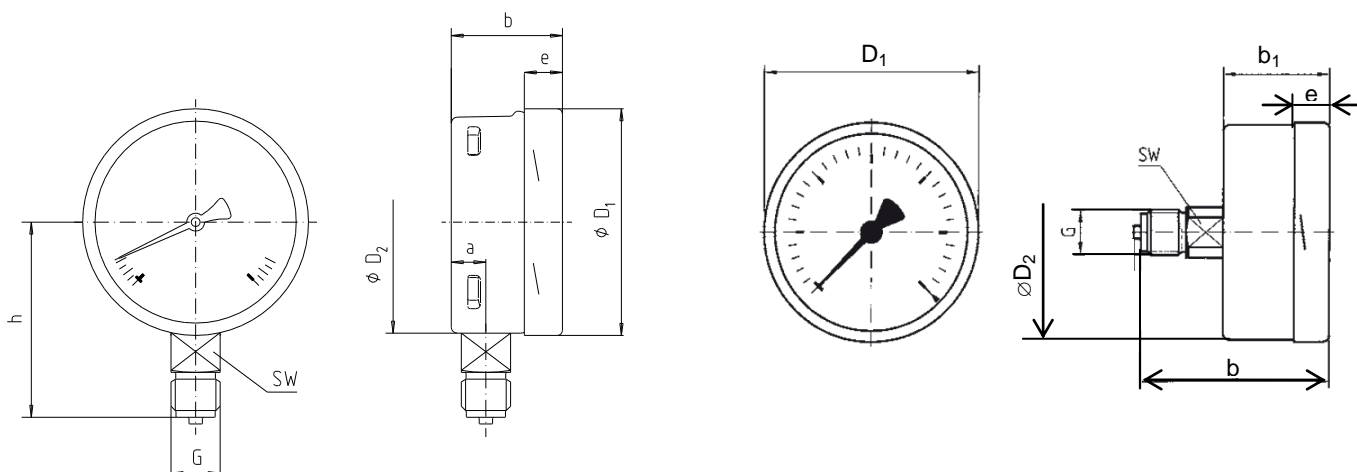
Models: P2080, P2081, P2086, P2087, P2089

Technical data

Models	P2080	P2081	P2086	P2087	P2089	Options
Nominal size	63		100		160	
Symbol						
Accuracy class	1.6 to EN 837-3					1.0
Ranges	0...25 mbar		0...25 mbar		0...6 mbar	
	to 0...600 mbar					
	negative or positive / negative and positive gauge pressure					
Application	Constant load: up to full scale value Alternating load: up to 0.9 x full scale value short-time: overload capacity 1.3 x					>25mbar = 10fach SKW
Case	Stainless steel, 1.4301					Rear mounting flange
Filling	without					NS 100/160: from 100 mbar fillable
Bezel	Stainless steel, 1.4301 Bayonet-ring					Rear mounting flange, Triangular bezel and bracket
Window	Laminated safety glass					
Dial	Aluminium, white, scale and imprint black					Dual scale
Pointer	Aluminium, black					
Movement	Stainless steel with zero offset compensation					
Measuring element	Stainless steel, 316 L or 316 Ti					
Pressure connection	Stainless steel, 316 L or 316 Ti					
- position	radial	back	radial	back	radial	
	bottom	central	bottom	eccentric	bottom	
- thread	G 1/4 B		G 1/2 B			Other threads on request
Sealing ring	FPM (Seals made of Viton [®]) ¹⁾					
Temperatures	Tmin. -20°C, Tmax. 100°C					
- Medium	Tmin. -20°C, Tmax. 60°C					
- Ambient						
Temperature drift	0.6 %/10K if deviation from normal temperature 20°C					
Protection	IP 32 acc. to EN 60529 / IEC 529					
Throttle	without					brass / \varnothing 0.4 ; \varnothing 0.8
Weight approx.	0.200 kg		0.600 kg		1.100 kg	

1) Viton[®] fluoroelastomer, a product of DuPont Dow Elastomers

Dimensions



Models: P2080, P2086, P2089

Models: P2081, P2087

Models	Dimensions in mm										
	ND	a ±0.5	b ±0.5	b ₁ ±0.5	b ₂ ±1	e ±0.5	D ₁ ±1	D ₂ ±1	G	h ±1	SW
P2080	63	10.8	40	--	--	22	64	62	G 1/4 B	53	14
P2081	63	--	--	37	60	22	64	62	G 1/4 B	--	14
P2086	100	15.5	49	--	--	17.5	101	99	G 1/2 B	86	22
P2087	100	--	--	49	81	17.5	101	99	G 1/2 B	--	22
P2089	160	17.5	50	--	--	17.5	161	159	G 1/2 B	116	22

Modifications reserved